

DATA SHEET SWING SIMIUS 3 BIRDNET

Text for invitation to tender | Item No: 51 2027 403



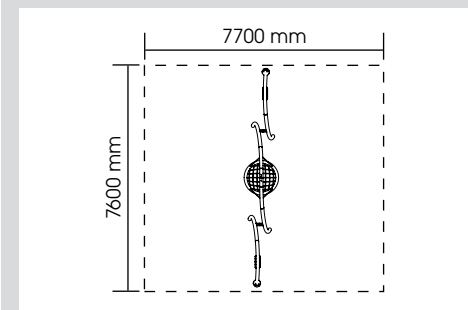
MATERIALS | SCOPE OF SUPPLY

Swing, final installation on location
Fixation of the swing chains necessary

| | |
|-------------------|---|
| Tubular frame: | stainless steel, V2A, 4 pieces EPDM caoutchouc ball at the end of the tubes, 2 pieces |
| Swing seat: | EPDM caoutchouc with steel inlay, 2 pieces |
| Chains: | stainless steel, length 1.80 m, each seat 2 pieces |
| Swing birdnet: | Usacord Ø 120 cm, 1 piece |
| Swing suspension: | chain and Herkules-rope, length 1.40 m |
| Foundation plate: | steel, coated |

TECHNICAL INFORMATION

| | |
|----------------------------------|--|
| Dimensions: | |
| Main dimension: | 7610 x 1200 mm |
| Height: | 2450 mm |
| Weight: | 510 kg |
| Capacity: | acc. to normative requirements |
| Dimension largest piece: | 2330 x 600 x 2900 mm |
| Heaviest piece: | 110 kg |
| Max. fall height: | 1500 mm |
| Impact protection | |
| Impact area: | 58,52 m ² |
| Required safety slabs: | 56,00 m ² |
| Required lawn grating: | 56,00 m ² |
| Recommended surface material: | sand, wood chip, gravel, synth. impact protection |



INSTALLATION

Foundations: 2

Installation according to our detailed mounting
instructions, see www.stilum.com

